

# ABC FS1

Easy

Digital

Design

Yes

## Description

**ABC-FS1** is a light and efficient Automatic Battery Charger for lead storage battery with which both equalizing and floating charge are possible using switching way.



## Key Features

- Controls high speed switching mode
- Protects circuit at output connection
- Sets equalizing/floating charging time with timer
- Starts equalizing charge using switch
- Prevents from wrong output wiring - safety reinforced
- Turns to floating charge after equalizing charge
- Battery can be charged when fully discharged
- Alarm for over charge and over discharge

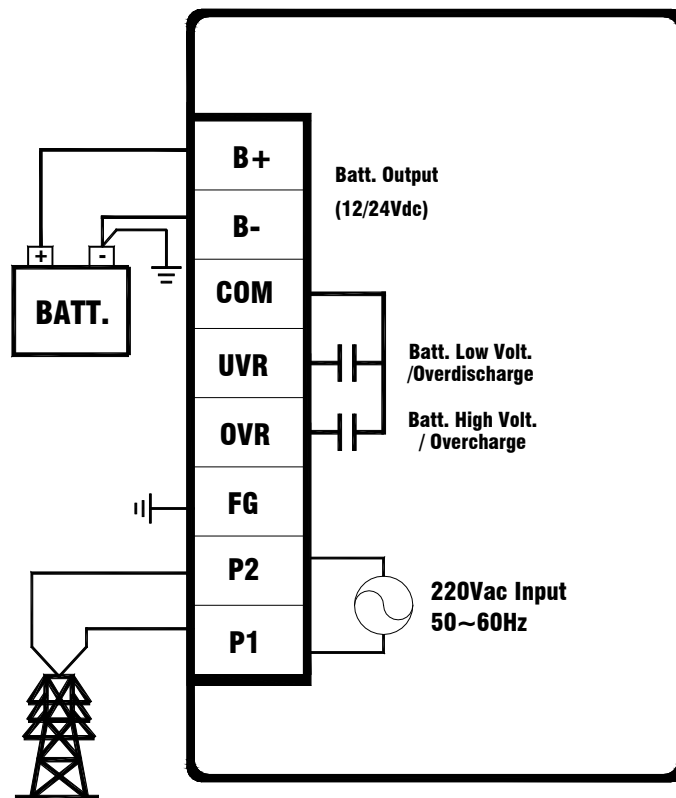
## Mechanical Features

- Beautiful design
- Light
- No noise by natural cooling

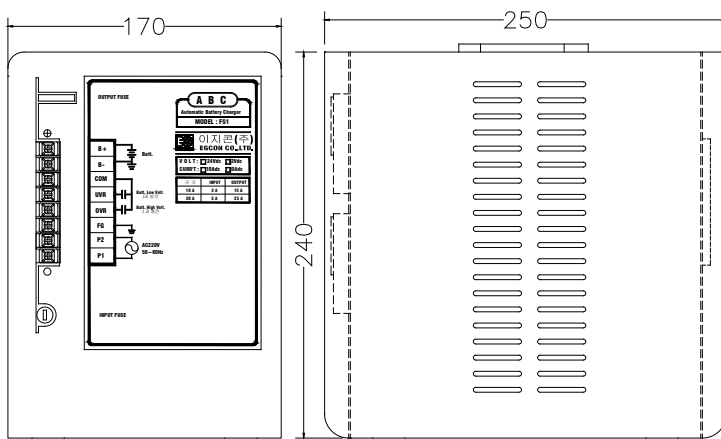
## Specifications

- Power Input : 1P, 220Vac $\pm$ 15%, 50/60Hz
- Output Voltage : 12Vdc or 24Vdc(Selected when order)
- Output Current : Consecutively 10A<sub>dc</sub> or 20A<sub>dc</sub>(Selected when order)

# Connection Circuit



## Dimension (mm)



## Miscellaneous

- Operating Temperature(°C) : -20~60
- Weight(kg) : 2.7
- 36Vdc, 48Vdc can be custom-made
- 30A, 40A can be custom-made
- 3P input can be custom-made
- Input Fuse : 3A, 250V,  $\Phi$ 5.2-20L
- Output Fuse : 15A for automobile



Engine generator control enterprise  
**EGCON CO., LTD**

Tel : 82-32-677-9806  
 Fax : 82-32-677-9807  
 Email : sales@egcon.co.kr  
 Web : www.egcon.o.kr