

# ABC SMS

Easy

Digital

Design

Yes

## Description

**ABC-SMS** is a light and high-efficient Automatic Battery Charger for lead storage battery that can operate quickly to the load change and can prevent accidents from happening that are caused by over current or connection. Floating/equalizing charge are also possible.

## Key Features

- Controls high speed switching mode
- Protects circuit at output connection
- Constant voltage and constant current charging
- Equalizing/floating charge is possible by connector
- Prevents from wrong output wiring - safety reinforced
- Battery can be charged when fully discharged
- Indication lamp of input power and wrong wiring
- Charged voltage is adjustable
- Less noise, less effects on other device



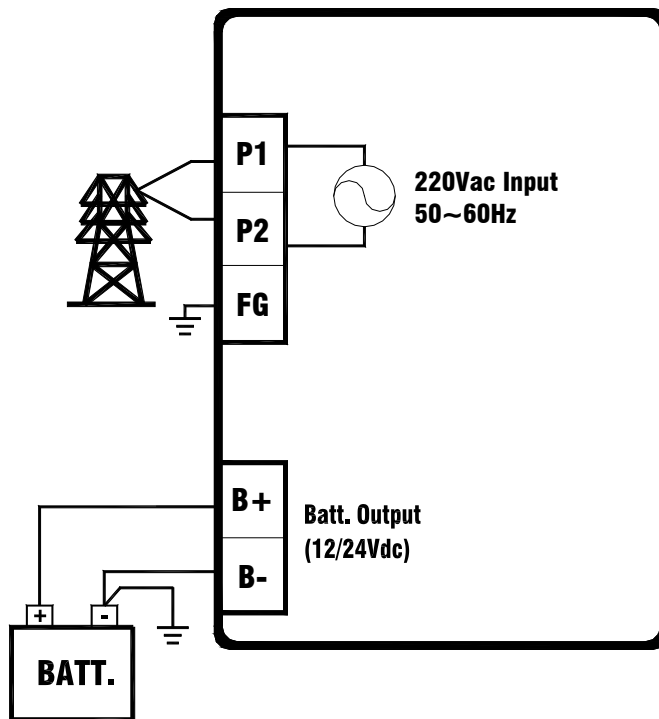
## Mechanical Features

- Panel built-in type
- Input/output fuse included
- Natural cooling - aluminum heat-preventing cover

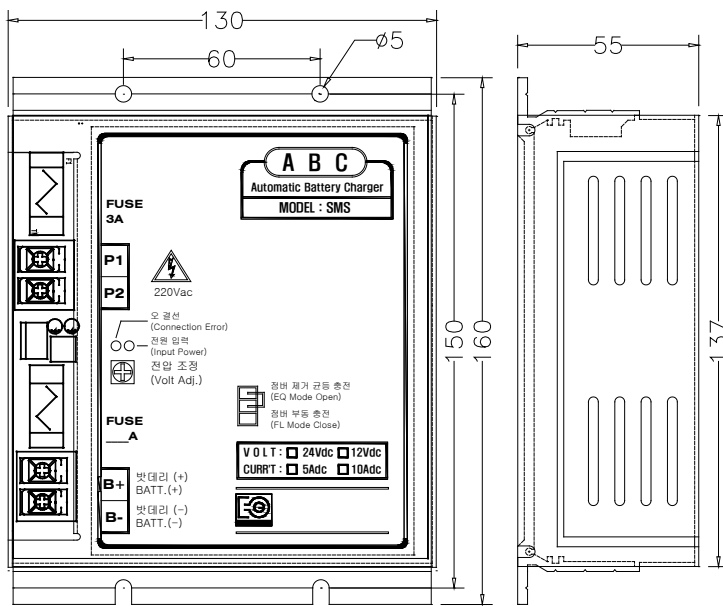
## Specifications

- Power Input : 1P, 220Vac±15%, 50/60Hz
- Output Voltage : 12Vdc or 24Vdc
- Output current : Consecutively 10Adc
- Operating Temperature(°C) : -20~60

# Connection Circuit



## Dimension (mm)



## Miscellaneous

- Weight(kg) : 1
- Case of Bottom : Aluminum(heat-preventing cover)
- Case of Top : Steel
- Input Fuse : 3A, 250V,  $\Phi$ 5.2-20L
- Output Fuse : 10A, 250V,  $\Phi$ 5.2-20L



Engine generator control enterprise  
**EGCON CO., LTD**

Tel : 82-32-677-9806  
 Fax : 82-32-677-9807  
 Email : sales@egcon.co.kr  
 Web : www.egcon.o.kr