

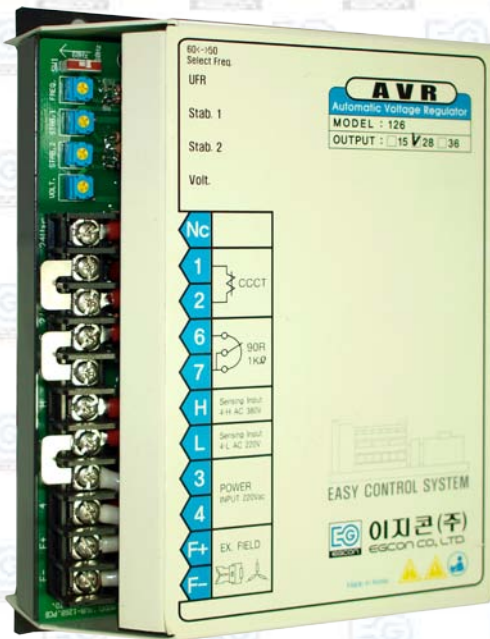
# AVR 126

## Description

**AVR-126** is a regulator for large current and with which parallel operation is possible. This is also designed for a brushless synchronous generator making relay voltage down to prevent from burnt down.

## Key Features

- Large capacity
- Single phase full wave control using SCR
- Able to adjust stability - two stability resistances
- Parallel operation
- Low frequency protection circuit included
- Anti vibration and anti humidity structure using silicone molding
- Tolerant of noise using sensing transformer
- Voltage can occur within the low residual voltage using relay-type initial excitation circuit



## Specifications

- Rating Output : 28/36Adc @ 125Vdc(3.5/4.5Kw)
- Power Input : 1P, 220Vac±20%, 50/60Hz, 5KVa
- Sensing Input : 220Vac or 440Vac, 1P 50/60Hz, 10Va
- Voltage Changing Rate : Below 1%
- Voltage Stability Rate : Below 2%(full load insertion at non-load state)
- Voltage Adjusting Range : 170~264Vac, 340~528Vac
- External Voltage Regulator : 1KΩ, 2W
- Exciter Field Resistance(Ω) : 2~400
- Voltage Forming Residual Voltage : Over 3Vac

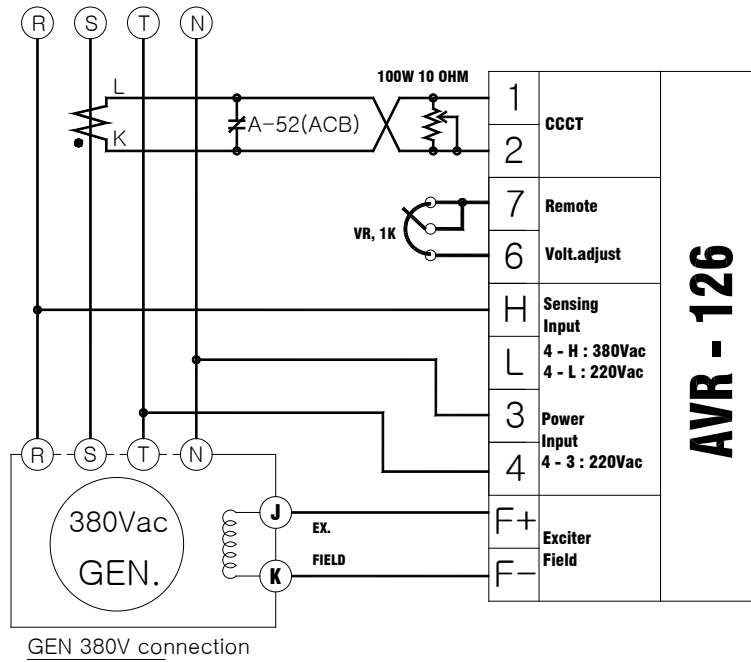
Easy

Digital

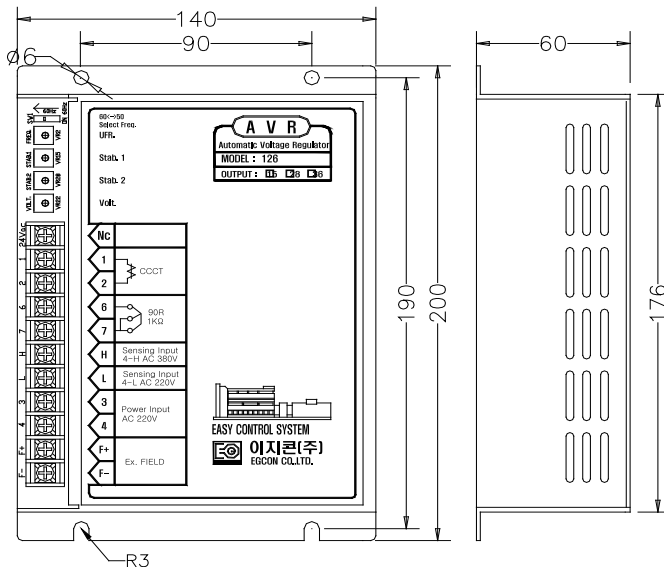
Design

Yes

# Connection Circuit



## Dimension (mm)



## Miscellaneous

- Operating Temp. : -20~60°C
- Weight(kg) : 2
- Material of Case : Steel



Engine generator control enterprise  
**EGCON CO., LTD**

Tel : 82-32-677-9806  
 Fax : 82-32-677-9807  
 Email : sales@egcon.co.kr  
 Web : www.egcon.o.kr