

AVR

631

E

asy

D

igital

D

esign

Y

es

Description

AVR-631 is a large output type regulator for a brushless synchronous generator that contains over output voltage circuit. This also expands output current capacity, blocks output at over excitation and prevents generator from burnt down making relay voltage down at low voltage.



Key Features

- Single phase half wave control using SCR
- Blocks output at over output excitation
- Low frequency protection
- Generator capacity selection switch
- Outstanding voltage stability adjustment - two regulators included
- Switch for 50/60Hz selection
- Low exciter field resistance is available
- Excellent voltage formation even within the low residual voltage

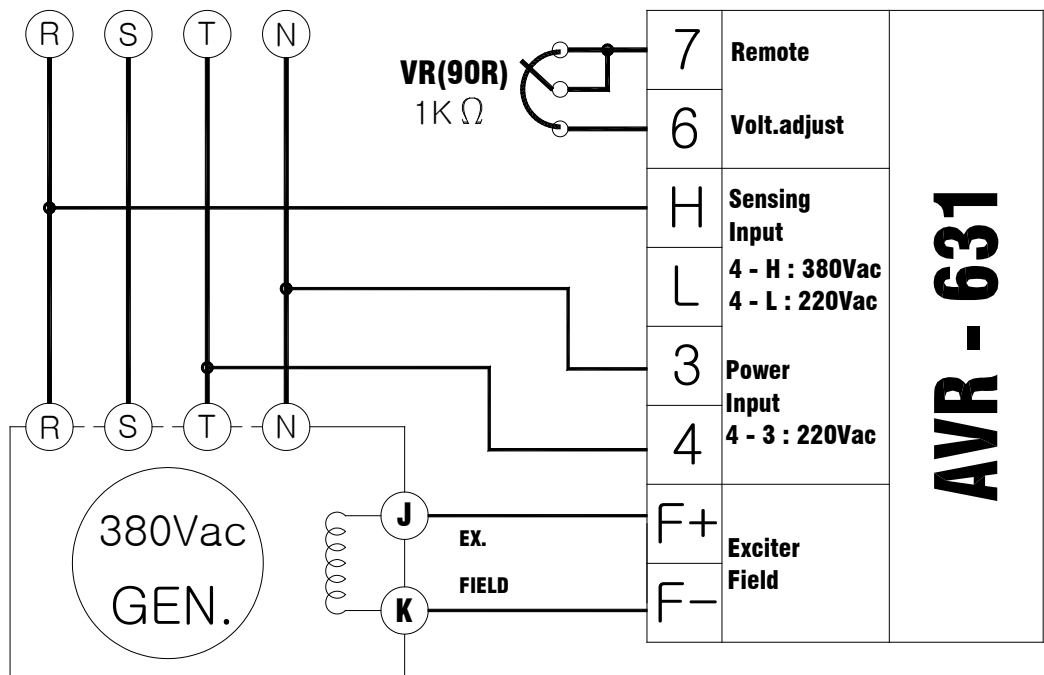
Mechanical Features

- Anti vibration and anti humidity : silicone coating
- After-sales is available because of the non epoxy mold treatment
- Occupies small space

Specifications

- Rating Output : 10Adc @ 63Vdc(630W)
- Maximum Output : 11Adc @105Vdc(1155W, 10sec)
- Power Input : 1P, 220Vac±20%, 50/60Hz, 650Va
- Sensing Input : 220Vac or 440Vac, 1P, 50/60Hz, 5Va
- Voltage Changing Rate : Below 1%
- Voltage Stability Rate : Below 1%(full load insertion at non-load state)
- External Voltage Regulator : 1K Ω , 2W
- Exciter Field Resistance(Ω) : 5~100
- Voltage Forming Residual Voltage : Over 3Vac
- Block Over Excitation : operates over 100Vdc and AVR stops

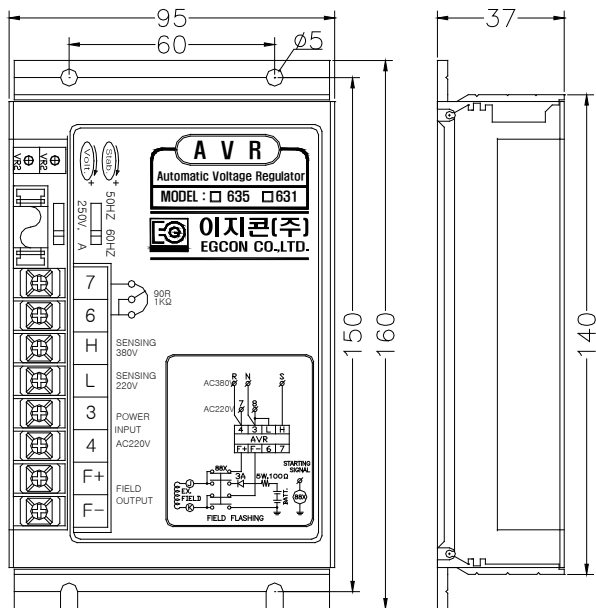
Connection Circuit



AVR - 631

GEN 380V connection

Dimension (mm)



Miscellaneous

- Operating Temp. : -20~60°C
- Weight(kg) : 0.5
- Capacity of Fuse : 10A, 250V, Φ5.2-20L
- Material of Case : Aluminum



Engine generator control enterprise
EGCON CO., LTD

Tel : 82-32-677-9806
 Fax : 82-32-677-9807
 Email : sales@egcon.co.kr
 Web : www.egcon.o.kr