

AVR 635

Easy

Digital

Design

Yes

Description

AVR-635 is an automatic voltage regulator for brushless synchronous generator which is designed to prevent generator from burnt down making relay voltage down at low speed and blocking output at over excitation.



Key Features

- Single phase half wave control using SCR
- Block output at over output excitation
- Low frequency protection
- Switch for generator capacity selection
- Outstanding voltage stability adjustment - two regulators included
- Switch for 50/60Hz selection switch
- Low exciter field resistance is available
- Excellent voltage formation even within the low residual voltage

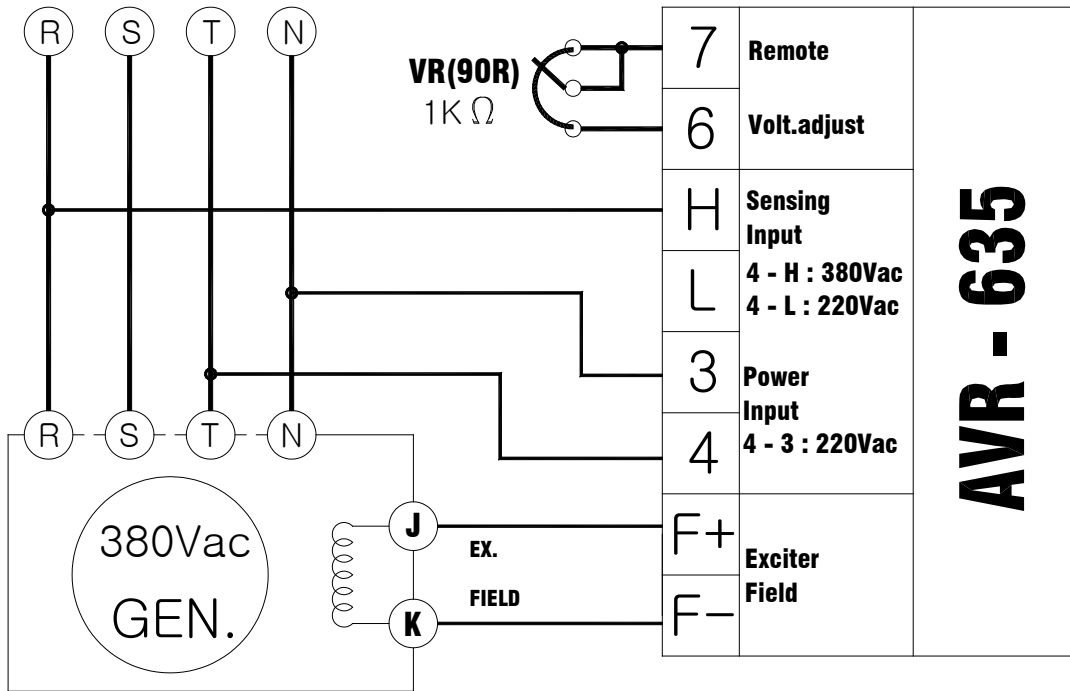
Mechanical Features

- Anti vibration and anti humidity using silicone coating
- After-sales is available because of the non-molding treatment
- Occupies small space

Specifications

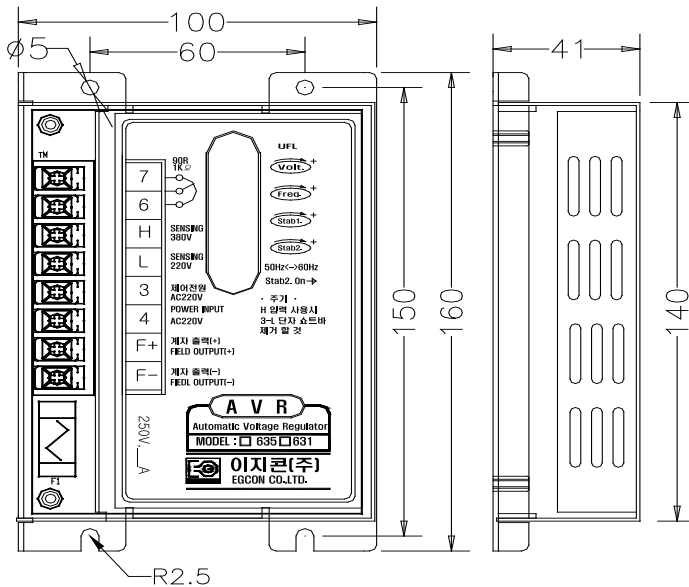
- Rating Output : 5A_{dc} @ 63V_{dc}(315W)
- Max Output : 6.5A_{dc} @ 105V_{dc}(682W, 10sec)
- Power Input : 1P, 220Vac±20%, 50/60Hz, 650Va
- Sensing Input : 220Vac or 440Vac, 1P, 50/60Hz, 5Va
- Voltage Changing Rate : Under 1%
- Voltage Stability Rate : Under 2%(full load insertion when non-load state)
- Voltage Adjusting Range : 170~264Vac, 340~528Vac
- External Voltage Regulator : 1KΩ, 2W
- Exciter Field Resistance(Ω) : 5-100
- Voltage Formation Residual Voltage : Over 3Vac
- Block Over Excitation : operates when exceeding 100V_{dc} and AVR stops

Connection Circuit



GEN 380V connection

Dimension (mm)



Miscellaneous

- Operating Temperature(°C) : -20~60
- Weight(kg) : 0.52
- Capacity of Fuse : 5A, 250V, Φ5.2-20L
- Material of Case : Steel



Engine generator control enterprise
EGCON CO., LTD

Tel : 82-32-677-9806
 Fax : 82-32-677-9807
 Email : sales@egcon.co.kr
 Web : www.egcon.o.kr