

AVR 638

Easy

Digital

Design

Yes

Description

AVR-638 is an Automatic Voltage Regulator that contains over voltage protection relay for synchronous generator.



Key Features

- Single phase half wave control using SCR
- Over input voltage protection relay included
- Blocks output at over output exciter
- Low frequency protection
- Switch for generator capacity selection
- Outstanding voltage stability adjustment - two regulators included
- Switch for 50/60Hz selection
- Low exciter field is available
- Excellent voltage formation within the low residual voltage

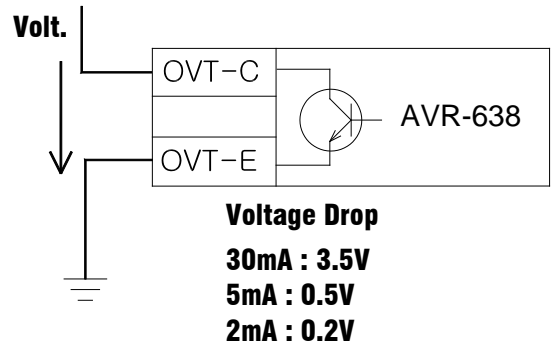
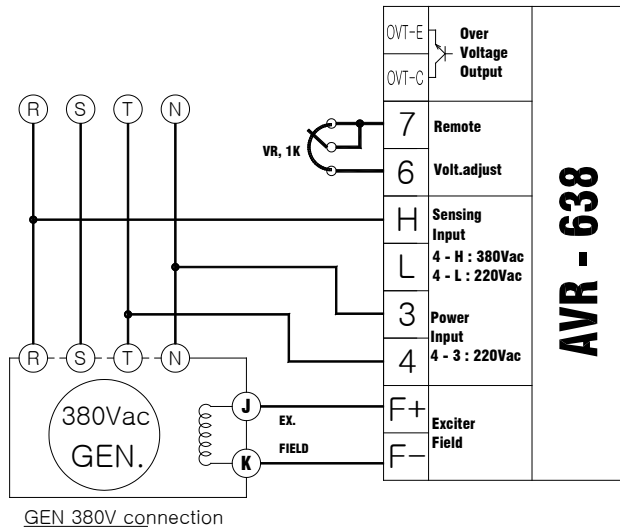
Mechanical Features

- Anti vibration and anti humidity using silicone coating
- After-sales is available because of the non-molding treatment
- Occupies small space

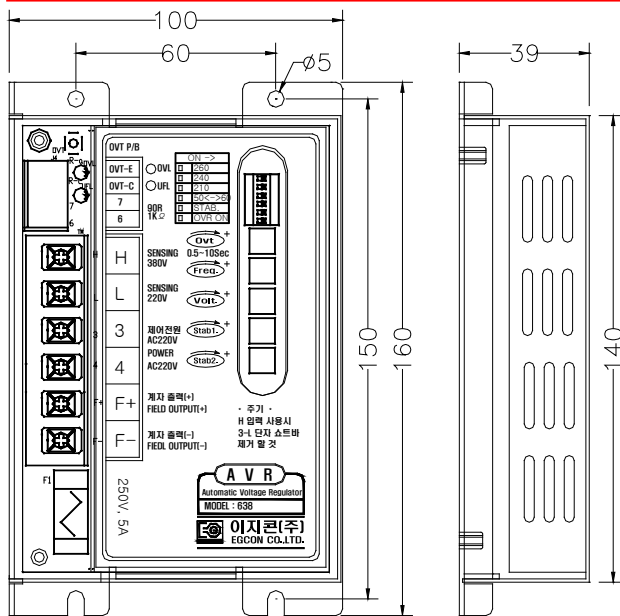
Specifications

- Rating Output : 5Adc @ 63Vdc(315W)
- Max Output : 6.5Adc @105Vdc(682W, 10sec)
- Power Input : 1P, 220Vac±20%, 50/60Hz,650Va
- Sensing Input : 220Vac or 440Vac, 50/60Hz, 5Va
- Voltage Change Rate : Under 1%
- Voltage Stability Rate : Under 2%(full load insertion at non-load state)
- Voltage Adjusting Range : 170~264Vac, 340~528Vac
- External Voltage Regulator : 1KΩ, 2W
- Exciter Field Resistance(Ω) : 5-100
- Voltage Formation Residual Voltage : Over 3Vac
- Block Over Excitation : operates when exceeding 100Vdc and AVR stops
- Setting Over Voltage : 210/240/260Vac

Connection Circuit



Dimension (mm)



Miscellaneous

- Operating Temperature(°C) : -20~60
- Weight(kg) : 0.5
- Capacity of Fuse : 10A, 250V, Φ5.2-20L
- Material of Case : Steel



Engine generator control enterprise
EGCON CO., LTD

Tel : 82-32-677-9806
 Fax : 82-32-677-9807
 Email : sales@egcon.co.kr
 Web : www.egcon.o.kr