

# AVR

# EG1

# Easy

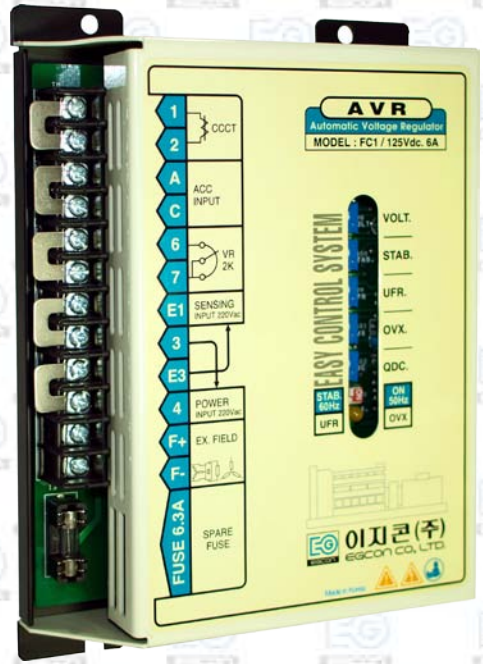
# Digital

# Design

# Yes

## Description

**AVR-FC1** is an automatic voltage regulator of a synchronous generator for parallel operation which blocks output at over output voltage, prevents generator from burnt down at over frequency making output voltage down, receives power input from PMG or assistant coil and can be controlled by other device.



## Key Features

- Single phase full wave control type using SCR
- Anti vibration and anti humidity using silicone coating
- Parallel operation
- Voltage is adjustable by extra device.
- PMG(Permanent magnet generator) or assistant coil can be applied
- Over output voltage protection can be set

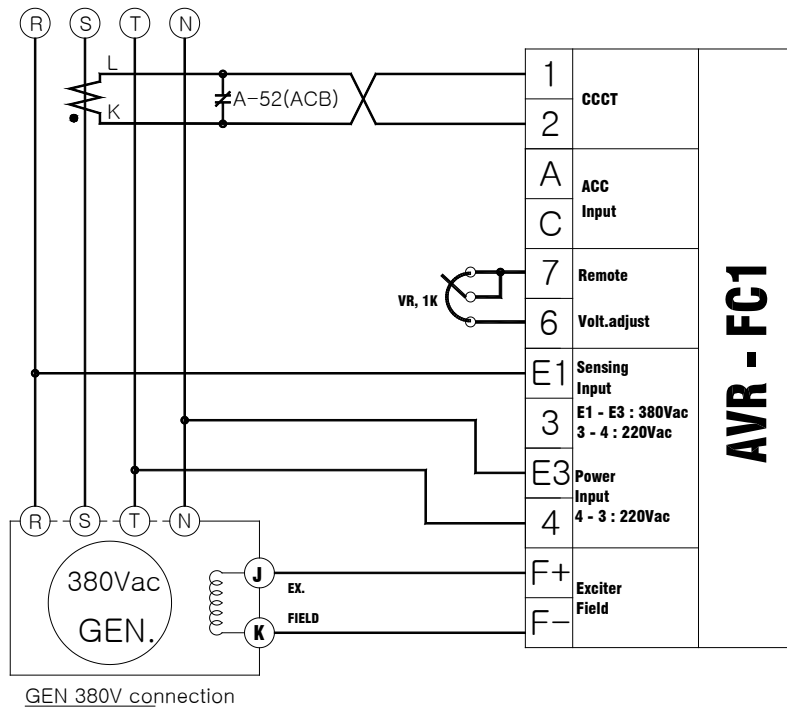
## Mechanical Features

- Anti vibration and anti humidity using silicone coating
- After-sales is available because of non epoxy mold treatment

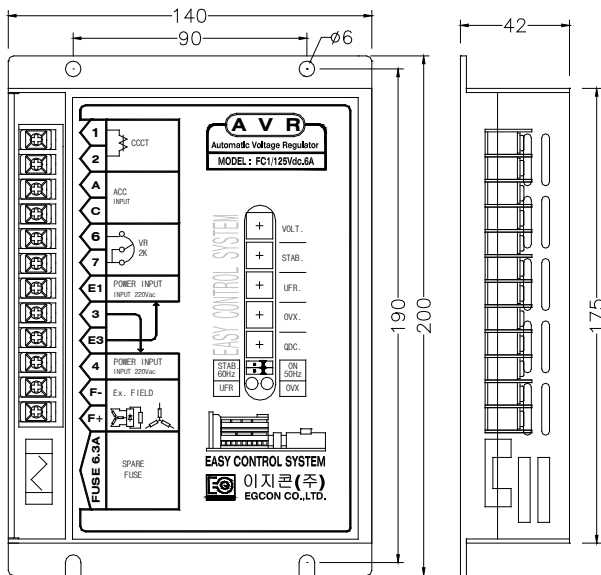
## Specifications

- Rating Output : 6Adc @ 110Vdc(660W)
- Max Output : 10Adc @ 200Vdc(2KW, 10sec)
- Power Input : 1P, 220Vac $\pm$ 20%, 50/60/125Hz, 2KVA
- Sensing Input : 220Vac or 440Vac, 1P, 50/60Hz, 5VA
- Voltage Change Rate : Under 1%
- Voltage Stability Rate : Under 2%(full load insertion at non load state)
- Voltage Regulating Range : 170~264Vac, 340~528Vac
- External Voltage Regulator : 1K $\Omega$ , 2W
- Exciter Field Resistance( $\Omega$ ) : 18.3-400
- Voltage Formation Residual Voltage : Over 5Vac
- Block Over Excitation : 75~125Vac, adjustable
- Parallel Input : 5Aac, 2VA, Adjusting droop 0.8~6% of factor
- Assistant Control Input :  $\pm$ 30% of voltage is controllable using  $\pm$ 3Vdc of signal

# Connection Circuit



## Dimension (mm)



## Miscellaneous

- Weight(kg) : 1.35
- Operating Temp. : -20~60°C
- Capacity of Fuse : 6.3A, 250V,  $\Phi$ 5.2-20L
- Material of Case : Steel



Engine generator control enterprise  
**EGCON CO., LTD**

Tel : 82-32-677-9806  
 Fax : 82-32-677-9807  
 Email : sales@egcon.co.kr  
 Web : www.egcon.o.kr