

AVR

FC2

Easy

Digital

Design

Yes

Description

AVR-FC2 is a silicone-coated Automatic Voltage Regulator of a synchronous generator which blocks output at over output voltage, prevents generator from burnt down at over frequency making output voltage down, receives power input from PMG or assistant coil.



Key Features

- Single phase full wave control model using SCR.
- Anti vibration and anti humidity using silicone coating and plastic case
- PMG(Permanent Magnet Generator) and assistant coil can be applied.
- Over output voltage protection can be set
- Low frequency protection function

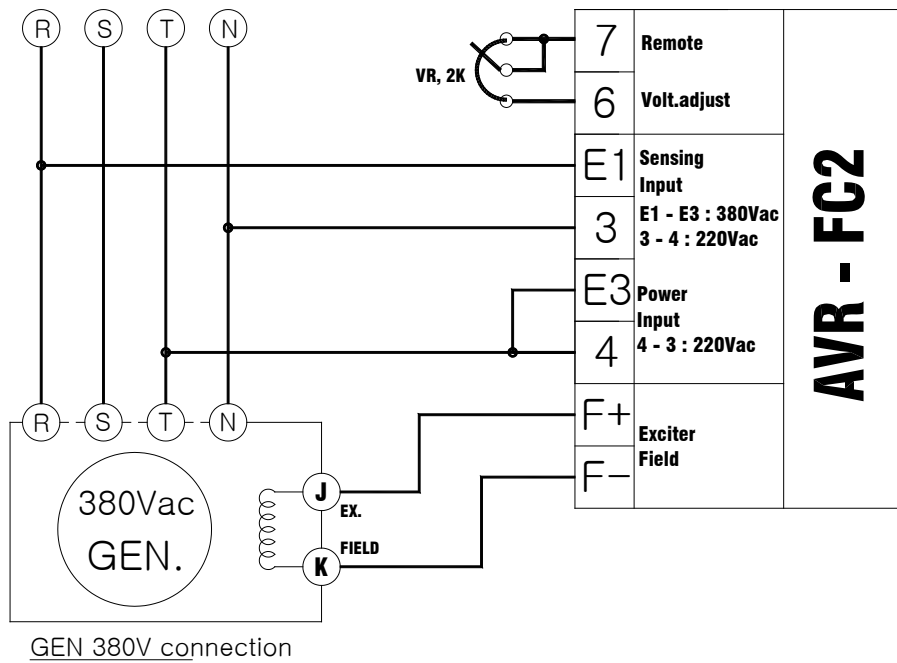
Mechanical Features

- Anti vibration and anti humidity using silicone coating
- After-sales is available because of non epoxy mold treatment

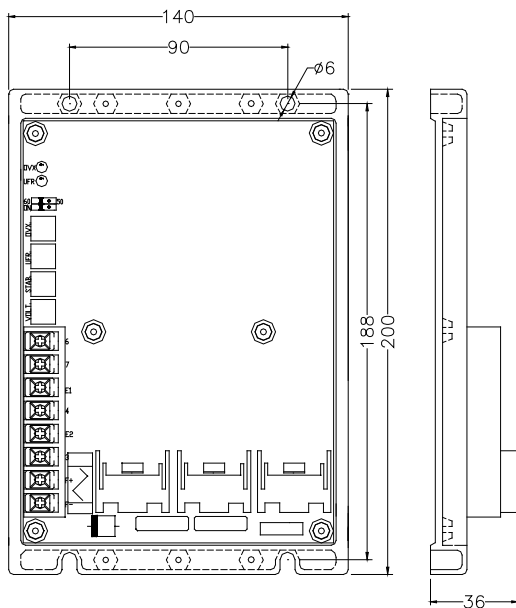
Specifications

- Rating Output : 6Adc @ 110Vdc(660W)
- Max Output : 10Adc @ 200Vdc(2KW, 10sec)
- Power Input : 1P, 220Vac \pm 20%, 50/60/125Hz, 2KVA
- Sensing Input : 220Vac or 440Vac, 50/60Hz, 5VA
- Voltage Change Rate : Under 1%
- Voltage Stability Rate : Under 2%(full load insertion at non load state)
- Voltage Adjusting Range : 170~264Vac, 340~528Vac
- External Voltage Regulator : 1k Ω , 2W
- Exciter Field Resistance(Ω) : 18.3-400
- Voltage Forming Residual Voltage : Over 5Vac
- Block over excitation : 75~125Vdc, Adjustable

Connection Circuit



Dimension (mm)



Miscellaneous

- Weight(kg) : 1.35
- Operating Temperature(°C) : -20~60
- Capacity of Fuse : 6.3A, 250V, Φ 5.2-20L
- Material of Case : Plastic
- Silicone mold treatment



Engine generator control enterprise
EGCON CO., LTD

Tel : 82-32-677-9806
 Fax : 82-32-677-9807
 Email : sales@egcon.co.kr
 Web : www.egcon.o.kr