

AVR FC3

Easy

Digital

Design

Yes

Description

AVR-FC3 is an automatic voltage regulator of a synchronous generator for parallel operation which blocks output at over output voltage, prevents generator from burnt down at over frequency making output voltage down, receives power input from PMG or assistant coil and can be controlled by other device.



Key Features

- Single phase full wave control using SCR
- Anti vibration and anti humidity using plastic case and silicone coating
- Parallel operation
- Controllable by other device
- PMG(Permanent Magnetic Generator) and assistant coil can be applied
- Over output voltage protection can be set
- Output overvoltage protection setting

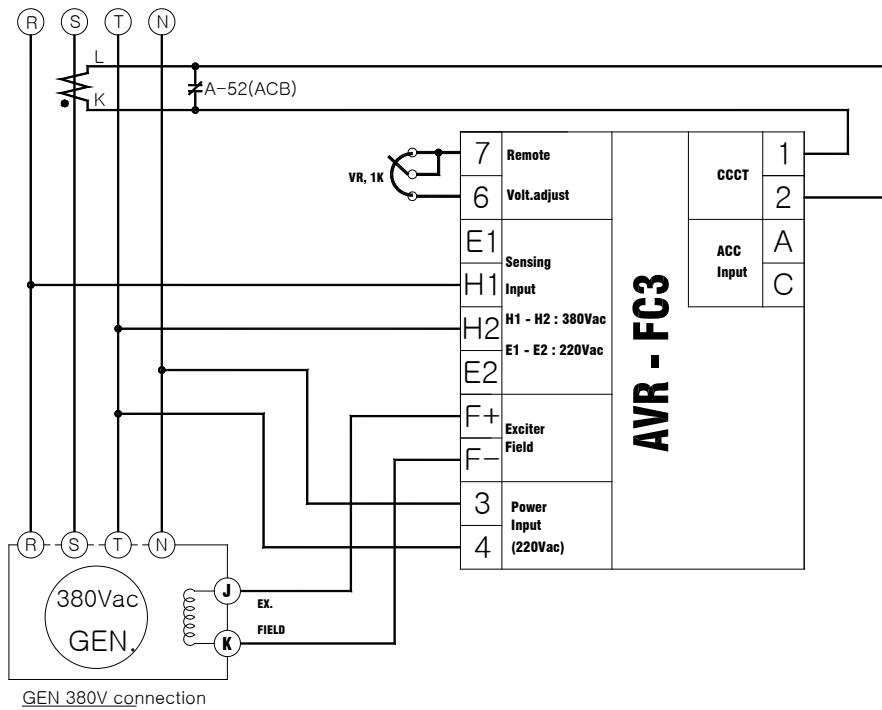
Mechanical Features

- Coolant efficiency is increased by aluminum cover
- Connection is easy

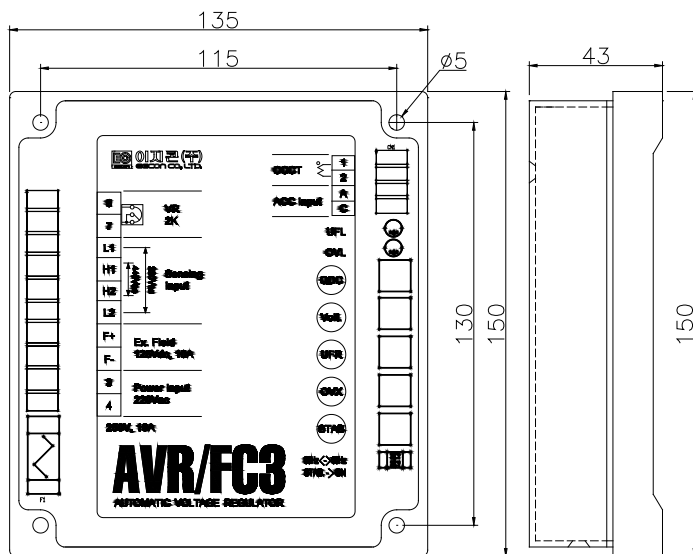
Specifications

- Rating Output : 10A_{dc} @ 110V_{dc}(1.1KW)
- Max Output : 11A_{dc} @ 220V_{dc}(2.2KW, 10sec)
- Power Input : 1P, 220Vac±20%, 50/60/125Hz, 2KVA
- Sensing Input : 220Vac or 440Vac, 1P, 50/60Hz, 5VA
- Voltage Change Rate : Under 1%
- Voltage Stability Rate : Under 2%(full load insertion at non load state)
- Voltage Adjusting Range : 170~265Vac, 340~528Vac
- External Voltage Regulator : 1kΩ, 2W
- Exciter Field Resistance(Ω) : 18.3-400
- Voltage Forming Residual Voltage : Over 5 Vac
- Block Over Excitation : 75~125V_{dc}, Adjustable
- Parallel Input : 5A_{ac}, 2Va, Adjusting droop 0.8~6% of factor
- Assistant Control Input : ±30% of voltage is controllable using ±3V_{dc} of signal

Connection Circuit



Dimension (mm)



Miscellaneous

- Operating Temperature(°C) : - 20~60
- Weight(kg) : 1.35
- Capacity of Fuse : 10A, 250V, Φ 5.2-20L
- Material of Case : Plastic
- Silicone coating
- Heat preventing cover of aluminum
- Connecting Terminal : 250 Slip on



Engine generator control enterprise
EGCON CO., LTD

Tel : 82-32-677-9806
 Fax : 82-32-677-9807
 Email : sales@egcon.co.kr
 Web : www.egcon.o.kr