

DMM-961

Easy
Digital
Design
Yes

Description

DMM-961 is a digital multimeter that can variously measure 1P or 3P power.

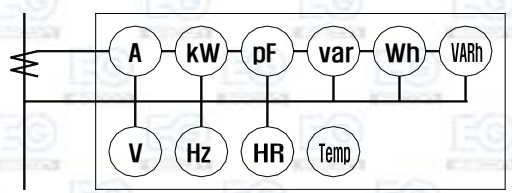


Key Features

- Accurate degree is 1.0%
- Measurable Units : V, A, Hz, kW, kVAR, kVA, kWA, kVARh, HR
- Remote monitoring using RS 485 MODBUS communication

Mechanical Features

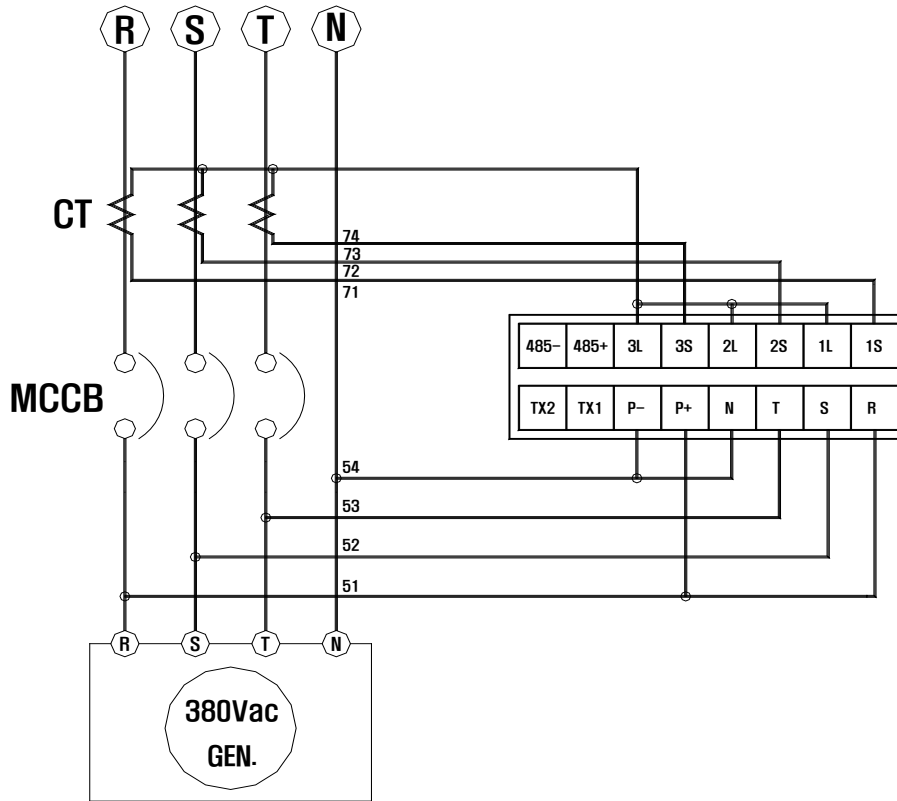
- Wrong input wiring is indicated
- Measures internal temperature of itself
- Records operating time
- Uses 600V terminal



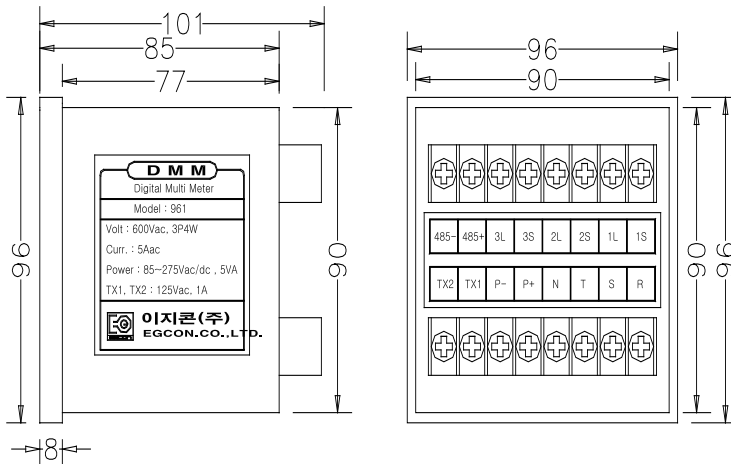
Specifications

- Measurable Range : Max 600Vac, 5Aac
- Power Input : 85~265Vac, 100~300Vdc

Connection Circuit



Dimension(mm)



Miscellaneous

- Operating Temperature(°C) : -20~60
- Weight(kg) : 0.42
- Material of Case : Plastic



Engine generator control enterprise
EGCON CO., LTD

Tel : 82-32-677-9806
 Fax : 82-32-677-9807
 Email : sales@egcon.co.kr
 Web : www.egcon.o.kr