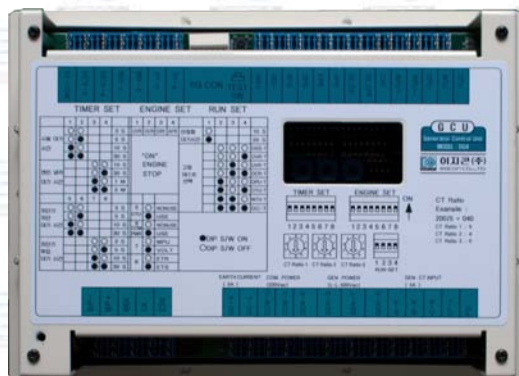
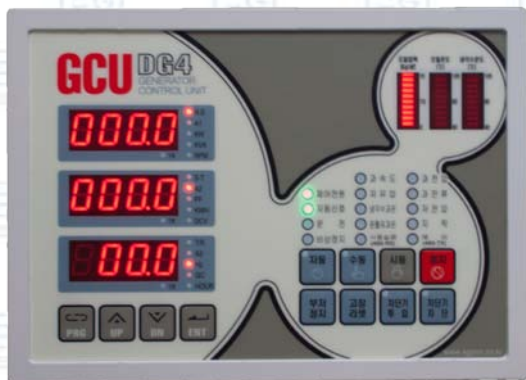


Description

GCU-DG4 is a device that monitors and controls a diesel engine generator and that contains an earth detecting circuit with no external relay. It is also designed to start and stop engine and to insert and block ACB.

Key Features

- 15 meters of V, A, Hz, kW, PF, kWh, kVA, EC(Earth Current), RPM, DCV, Hour, OP(oil pressure), OT(oil temperature), WT(water temperature), Bar Gauge
- Remote control by RS 485 MODBUS Protocol
- Earth relay included
- Detects 5 kinds of engine faults
- Detects 4 kinds of generator faults



Mechanical Features

- 4-digit 3-line and 14mm large display LCD
- Easily set by using switch
- Easily connectable
- Can be controlled with no extra relay
- 4 kinds of state indication lamps
- Indicates ACB insert/block via lamps

Specifications

- Power Input : 8~35Vdc
- Generator Input : Max 600Vac(L-L), 45~70Hz, 5Aac
- Standard of Earth Current Detecting CT : 100/5A, 5VA
- COM power Detection : 1P, 220Vac
- Speed Detection : MPU(7kHz, 20Vac) or GEN power

GCU

DG4

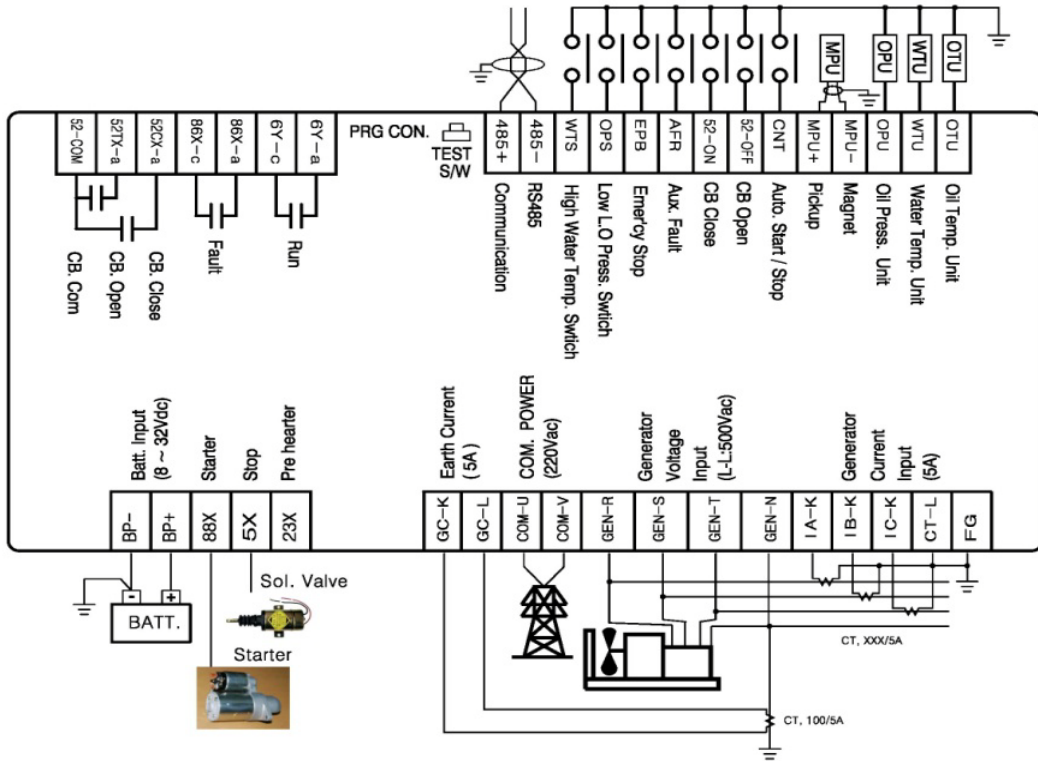
Easy

Digital

Design

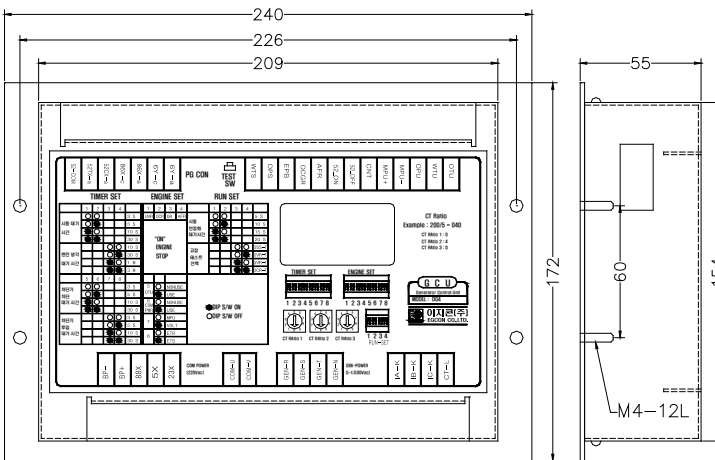
Yes

Connection Circuit



Dimension(mm)

Miscellaneous



- Operating Temperature(°C) : -20~60
- Weight(kg) : 1.5
- Material of Case : Steel
- Connecting Terminal : 250 Slip on
- Communication Protocol : MODBUS RTU
- Accuracy of Measurement(RMS) : $\pm 1.0\%$
- Contact Capacity of Start/Stop : 30A
- Contact Capacity of ACB Control : 10A



Engine generator control enterprise
EGCON CO., LTD

Tel : 82-32-677-9806
 Fax : 82-32-677-9807
 Email : sales@egcon.co.kr
 Web : www.egcon.o.kr