

# GCU MP4

Easy

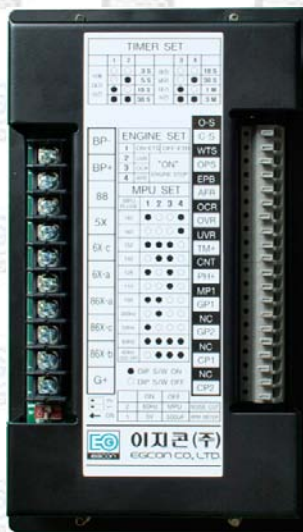
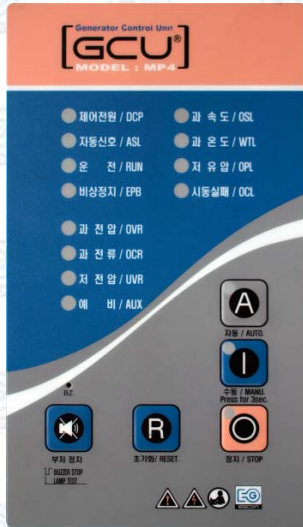
Digital

Design

Yes

## Description

**GCU-MP4** is a device that is attached on the front of semi automatic generator panel to control engine generator and that can start/stop engine generator with no external relay.



## Key Features

- Fault alarm and contact of operation state included.
- Can controls without extra relay.
- Easy to set by using switch.

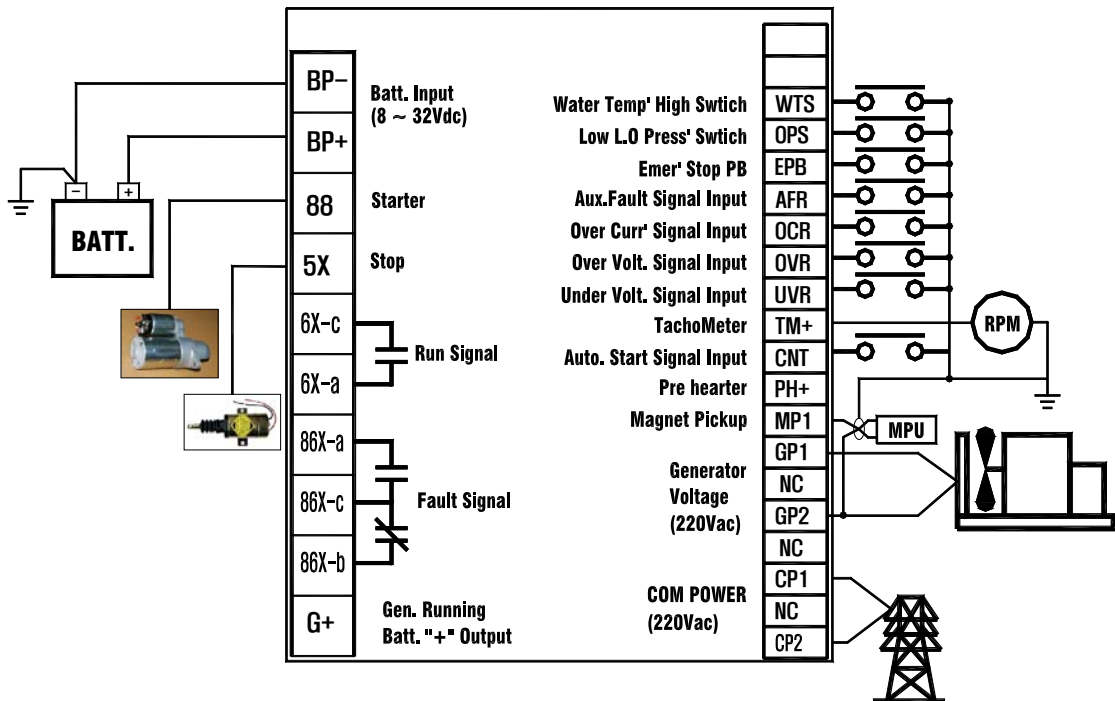
## Mechanical Features

- Six state display lamps
- Six heavy fault display lamps
- Three light fault display lamps
- Five manipulating switch
- Switch for over speed test
- Output of RPM Meter

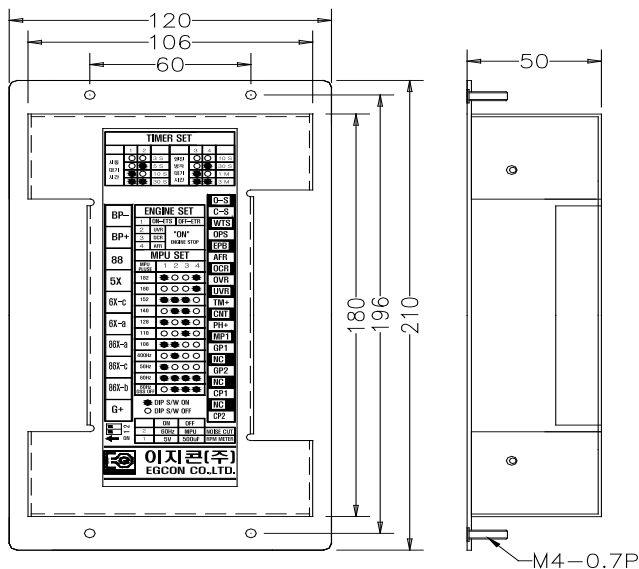
## Specifications

- Power Input : 8~35Vdc
- Generator Input : 1P, 220Vac
- COM power detection : 1P, 220Vac
- Speed Detection : MPU(7kHz, 20Vac) or Generator Input

# Connection Circuit



## Dimension(mm)



## Miscellaneous

- Operating Temperature(°C) : -20~60
- Weight(kg) : 0.7



Engine generator control enterprise  
**EGCON CO., LTD**

Tel : 82-32-677-9806  
 Fax : 82-32-677-9807  
 Email : sales@egcon.co.kr  
 Web : www.egcon.o.kr